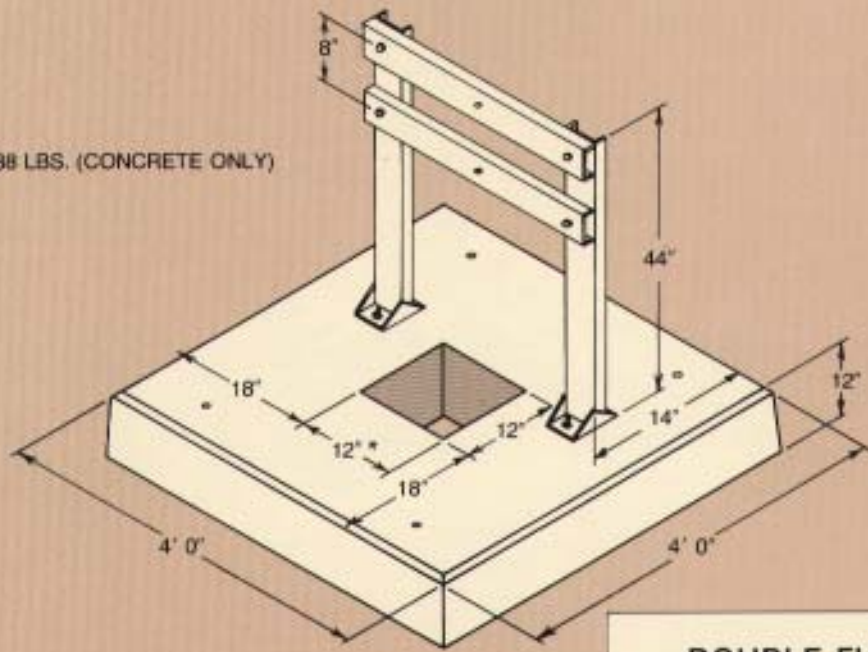


1,688 LBS. (CONCRETE ONLY)



NOTES: Mounting bracket not provided.
Lifting inserts provided

*Opening size & location as required

**DOUBLE FUSE
CUBICLE PAD**

MODEL FM-44

